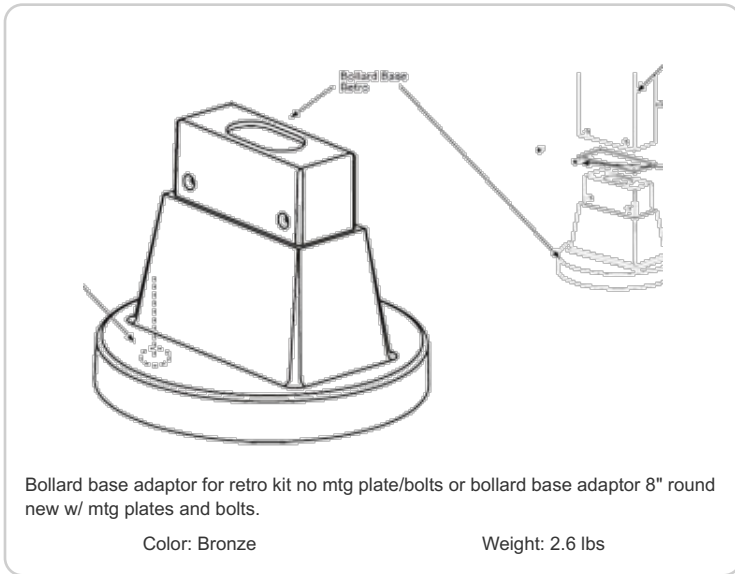


BOLBASE RETRO



Project:	Type:
Prepared By:	Date:

Technical Specifications

Construction

Retrofit:

Retrofit Bollard Base for BLED5, BLED10, BLED13's (Bollards with Fixtures sold separately) for retrofit application for existing concrete or base.

Other

Country of Origin:

Designed by RAB in New Jersey and assembled in the USA by RAB's IBEW Local 3 workers.

Country of Origin:

Designed by RAB in New Jersey and assembled in Taiwan.

Trade Agreements Act Compliant:

This product is a product of Taiwan and a "designated country" end product that complies with the Trade Agreements Act.

GSA Schedule:

Suitable in accordance with FAR Subpart 25.4.

Dimensions

